

## Crosswise Convection Gas Convection Oven, 10 GN1/1

ITEM # \_\_\_\_\_

MODEL # \_\_\_\_\_

NAME # \_\_\_\_\_

SIS # \_\_\_\_\_

AIA # \_\_\_\_\_


**260701 (FCG101)**

 Gas Convection Oven  
 10x1/1GN, crosswise

### Short Form Specification

**Item No.** \_\_\_\_\_

Main structure in stainless steel, with seamless joints in the oven cavity. Double-glazed door with tempered glass. Cavity lighting. Unique air-flow channel system.

Cooking cycles: air convection, convection with 5 stage humidification. Max. temperature of 300°C.

Functional level: base, manual.

"Cross-wise" pan rack suitable for 10x1/1GN. The pan rack, fixed, can be converted into a roll-in rack by using an optional kit.

Supplied with n. 1 pan rack, 60mm pitch (made up of n. 2 side hangers).

### Main Features

- Racks can be easily removed without the need for special tools.
- Unique air-flow system guarantees perfect distribution of heat throughout the oven cavity.
- Maximum temperature of 300°C.
- Food temperature probe (available as accessory).
- Rapid cooling of oven cavity.
- Halogen lighting and "crosswise" pan supports allow clear and unobstructed view of the products being cooked.
- 5 Stage humidification control, to ensure perfect pastries and succulent roasts.
- Meets the requirements of CE, VDE and DVGW for safety.

### Construction

- Access to all components from the front.
- Stainless steel oven cavity with rounded corners.
- Double-glazed door with tempered glass.
- External access door for electrical connections.
- All connections made on the left side below the oven.
- Integrated drain outlet.
- IPx4 water protection.

### Included Accessories

- 1 of 60mm pitch side hangers 10x1/1GN gas oven (included with the oven) PNC 922122

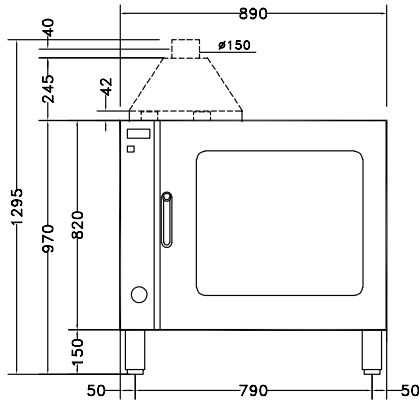
### Optional Accessories

- Pair of 1/1GN AISI 304 stainless steel grids PNC 921101
- Support for 1/2GN pan (2pcs) PNC 921106
- Water softener with salt for ovens with automatic regeneration of resin PNC 921305
- Fat filter for gas 10 and 20 1/1 and 2/1 GN ovens (2 filters are necessary for 20-grid ovens) PNC 921700
- Flue condenser for gas ovens 10x1/1-2/1 PNC 921701
- Probe for ovens 6 and 10x1/1GN PNC 921702
- Guide kit for 1/1GN drain pan PNC 921713
- Pair of grids for whole chicken (8 per grid - 1,2kg each), GN 1/1 PNC 922036
- Open base for 10 GN 1/1 convection oven PNC 922102
- Shelf guides for 10x1/1GN, ovens base PNC 922106
- Cupboard base for 10 GN 1/1 convection oven PNC 922109

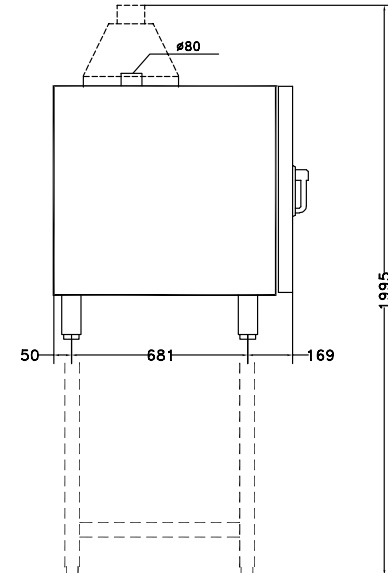
**APPROVAL:** \_\_\_\_\_

- Hot cupboard stand for convection oven 10x1/1GN PNC 922112
- Open base on castors for 10 GN 1/1 convection oven PNC 922114
- 80mm pitch side hangers 10x1/1GN gas oven PNC 922116
- 60mm pitch side hangers 10x1/1GN gas oven (included with the oven) PNC 922122
- Feet for ovens 6x1/1GN, 10x1/1 and 2/1GN PNC 922127
- Trolley for 10x1/1GN roll-in rack PNC 922130
- Retractable hose reel spray unit PNC 922170
- External side spray unit (needs to be mounted outside and includes support to be mounted on the oven) PNC 922171
- Pair of frying baskets PNC 922239
- Grid for whole chicken (8 per grid - 1,2kg each), GN 1/1 PNC 922266
- Kit universal skewer rack and 6 short skewers for Lengthwise and Crosswise ovens PNC 922325
- Universal skewer rack PNC 922326
- Volcano Smoker for lengthwise and crosswise oven PNC 922338

Front

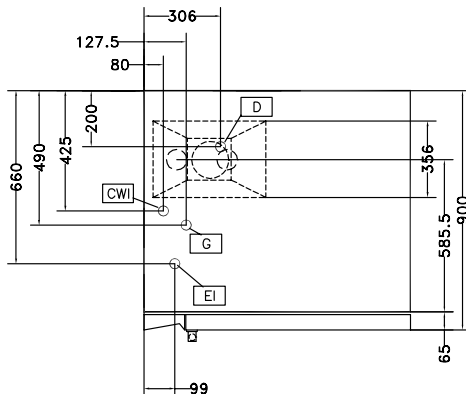


Side



- CW11 = Cold Water inlet 1 (cleaning)  
 CW12 = Cold Water Inlet 2 (steam generator)  
 D = Drain  
 EI = Electrical inlet (power)  
 G = Gas connection

Top



## Electric

<b>Supply voltage:</b>	
260701 (FCG101)	220-230 V/1 ph/50 Hz
<b>Auxiliary:</b>	0.35 kW
<b>Electrical power max.:</b>	0.35 kW

## Gas

<b>Gas Power:</b>	18.5 kW
-------------------	---------

## Capacity:

<b>Shelf capacity:</b>	10
------------------------	----

## Key Information:

<b>External dimensions, Width:</b>	890 mm
<b>External dimensions, Depth:</b>	900 mm
<b>External dimensions, Height:</b>	970 mm
<b>Net weight:</b>	136 kg
<b>Functional level:</b>	Basic
<b>Type of grids:</b>	1/1 Gastronorm
<b>Runners pitch:</b>	60 mm
<b>Cooking cycles - air-convection:</b>	300 °C
<b>Internal dimensions, Width:</b>	590 mm
<b>Internal dimensions, Depth:</b>	479 mm
<b>Internal dimensions, Height:</b>	680 mm